

**COAL MINING / HARD ROCK MINING**

**CABLE BOLT**

**GARFORD™ CABLE BOLTS**

**DESCRIPTION**

Garford™ range includes continuous roll or cut to length cable bolts. Available in various lengths and bulb configurations.

15.2 mm plain and bulbed cable bolts

- Single strand or twin strand options
- Plain or bulbed options at 0.5m or 1m spacing
- Single or double tails available on twin strand cables
- Fish hook options

Superstrand 21.8 mm diameter cables

- Resin point anchored high capacity cable bolt
- Plain strand lengths or with 3x bulbs at the top to assist with resin capsule mixing
- Bulb diameter options of 32mm, 38mm and 48mm to suit a variety of hole diameters
- Tensionable to 25 tonnes

Strata cables for coal mining applications

- Bulbs at the top to aid resin capsule mixing
- Reinforced bulbs every 500mm down the groutable length of the cable
- Tensionable to 25 tonnes

Garford cable bolts are manufactured to quality accredited standards ISO:9001 at facilities in WA, NSW and QLD.



**APPLICATION AND USES**

Primary use is coal and hard rock mining.

**ADVANTAGES**

- Proven historical performance
- Flexible formats with continuous roll or cut to length options
- 15.2mm cable bolt supplied with fish hook to anchor cable into borehole prior to grouting
- Bulb diameter changeable to suit requirements
- Available accessories and hole plugging products
- Resin Point Anchoring
- Bulbs to assist resin capsule mixing
- Wide range of plates and accessories

**TECHNICAL DATA**

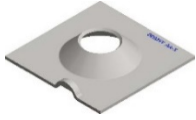

**Mechanical Properties**

Typical Properties	15.2 mm	21.8mm Superstrand	21.8mm Strata
Core Bolt Diameter Plain section(mm)	15.2	21.8	21.8
Typical Bulb Diameter (mm)	25 – 30	32 – 38	32 – 48
Cross Sectional Area Plain section(mm <sup>2</sup> )	143	313	313
Number of Strands	7	19	19
Yield Strength (MPa)	202		
Yield Force – 0.2% (kN)	235	525	525
Tensile Strength (MPa)	1850	1800	1800
Tensile Force (kN)	270	590	590
<sup>1</sup> Elongation (%)	6.5	6 – 7	6 – 7
Mass per metre (kg/m)	1.125	2.482	2.482

<sup>1</sup>600 mm length

**Plates**

Minova can supply a comprehensive range of plates for use with Cable bolts. Typical plates include flat, dome and crown plates:

Plate Name	Dimensions (mm)	
Dome Plate	150 x 150 x 7 150 x 150 x 10	
Flat Plate	200 x 200 x 12	

Note: Contact Minova for other plate variations

**Accessories**

Accessories include various barrel and wedges to suit either 15.2mm cable bolts or a 21.8 mm cable bolt. Barrel and Wedges consist of either two or three triangular shaped wedges placed inside a case hardened cylindrical barrel. Use to secure plates to the rock surface and in some instances to provide pre-tension to a resin point anchored cable bolt.

Other accessories include grout, breather tube and several hole plugging products.

**Lokset® Resin Capsules**

The Lokset system consists of an easily handled cartridge filled with a reinforced polyester resin in one compartment and a catalysed mastic filler in the other, separated by a physical barrier. The rotation of the bolt during installation ruptures the capsule, shreds the skin and mixes the two components causing a chemical reaction and transforming the resin mastic into a solid anchor.

A combination of fast and slow setting cartridges makes it possible for the simultaneous operation of anchoring, grouting and tensioning a rock bolt.

Refer to the technical data sheet at [www.minovaglobal.com](http://www.minovaglobal.com)



**PACKAGING AND TRANSPORTATION**

Bolts are usually packaged in bundles of 50 or 100. Coiled or flat bundle options available

**APPROVALS AND CERTIFICATES**

**Product Standards**

Bolt Type	Material Standard
15.2MM Cable	AS1311
21.8MM Superstrand Cable	AS/NZS 4672.1 : 2007 JISG 3536
21.8MM Strata Cable	AS/NZS 4672.1 : 2007 JISG 3536

**TECHNICAL SUPPORT**

We provide technical advisory service by a team of specialists in the field. The service includes on site assistance and advice on evaluation trials and laboratory work. All technical data sheets can be found on [www.minovaglobal.com](http://www.minovaglobal.com)

**DISTRIBUTOR**

Authorised distributor of Australian mining industry renowned Garford™ Cable Bolts

Minova trading name of Orica Australia (Pty) Ltd

George Booth Drive Kurri Kurri, NSW 2327

An ISO 9001:2015 Quality Management  
Certificated Company

**ADDITIONAL INFORMATION**

Minova Australia offers a comprehensive range of products, all of which have been developed after extensive research and testing on a global scale via our international network of operations. These products include:

- Resin anchor systems
- High yield grouts and foams
- Monolithic chock systems
- High performance cable bolt grouts
- Polyurethane resin systems
- Sprayable coatings for ventilation control
- Water stop grouts
- Ventilation formwork systems including: Meshblock and Tecmesh
- Grout mixers and batchers both air and hydraulically operated
- Contract Installations
- Flexible membranes for strata support and waterproofing applications

**CUSTOMER SERVICE**

[sales\\_au@minovaglobal.com](mailto:sales_au@minovaglobal.com)

1800 646 682 (1800 Minova)

1300 646 682 (1300 Minova)

+61 2 49395159 (International)

**DISCLAIMER**

All information contained in this document is provided for informational purposes only and is subject to change without notice. Since Minova cannot anticipate or control the conditions under which this information and its products may be used, each user should review the information in the specific context of the intended application. To the maximum extent permitted by law, Minova specifically disclaims all warranties express or implied in law, including accuracy, non-infringement, and implied warranties of merchantability or fitness for a particular purpose. Minova specifically disclaims, and will not be responsible for, any liability or damages resulting from the use or reliance upon the information in this document.

The Minova Logo is a registered trademark.

© 2018 Minova Australia Pty Ltd

® Registered trademark of Minova International Limited